

Listening Device

Eavesdropping on conversations from a safe distance is crucial for detectives, and your Spy Labs Listening Device is the perfect tool for the job. The directional microphone amplifies sounds so you can tail your target while remaining out of sight!

WARNING! Not suitable for children under 3 years of age. Choking hazard – small parts may be swallowed or inhaled.
Strangulation hazard – long cord may become wrapped around the neck.
Keep the packaging and instructions as they contain important information.

1. To operate your listening device:

- Ask an adult to install the battery. See section 2 (below) for instructions on how to access the battery compartment and figure 1 (upper-right) for the correct battery orientation.
- Turn on the listening device and place the earphone in your ear.
- Point the front of the microphone toward the subject you want to listen to. The listening device will amplify the sound.
- Position yourself outside the normal hearing range of the subject that you're monitoring. Be inconspicuous – try to seem occupied and avoid looking in their direction so they don't get suspicious!
- Since the listening device amplifies sound, avoid listening to noises or voices that are too loud as they may cause discomfort.

Tip!

- When you are not using the device, switch it off so the batteries will last longer.

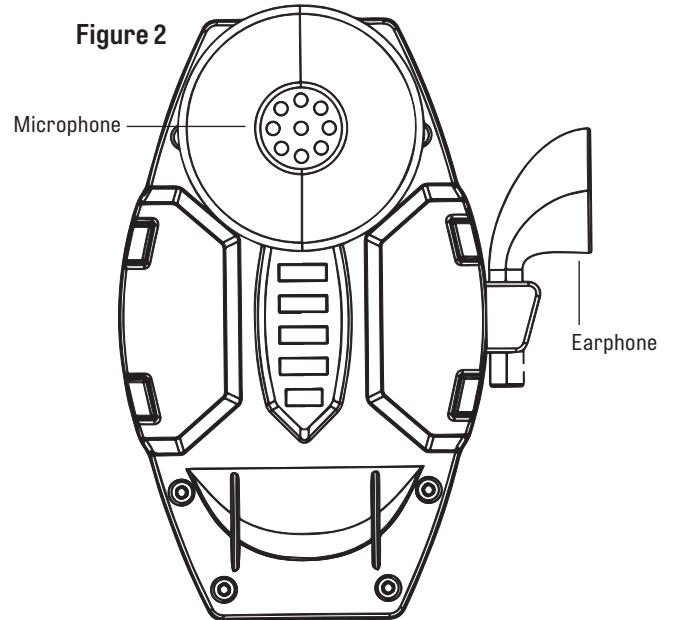
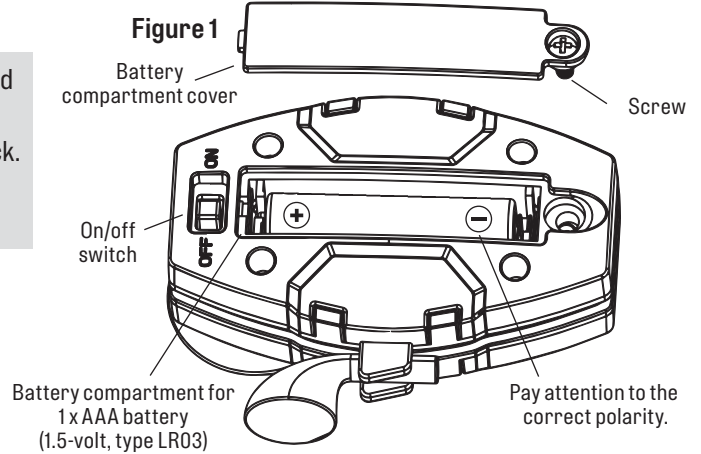
2. Installing and replacing the battery:

IMPORTANT: An adult should insert and change the battery.

- Use a Phillips-head screwdriver to loosen the screw on the battery compartment. Lift off the cover. The screw will remain in the cover.
- Remove the old battery, (if applicable) and insert one new AAA battery (1.5-volt, type LR03). Pay attention to the correct polarity (see figure 1). Close the battery compartment and use the screwdriver to screw the cover back into place.

Quick start guide:

1. An adult must install the battery before use. (See section 2.)
2. Place the earphone in your ear.
3. Position the microphone.
4. Listen discreetly.



Safety for Experiments with Batteries:

- An adult should insert and change the batteries.
- To operate the device, you will need one AAA battery (1.5-volt, type LR03), which could not be included in the kit due to its limited shelf life.
- Avoid a short circuit of the battery. A short circuit can cause the wires to overheat and the battery to explode.
- The battery is to be inserted with the correct polarity (+ and -). Press it gently into the battery compartment.
- Non-rechargeable batteries are not to be recharged. They could explode!
- Rechargeable batteries are only to be charged under adult supervision.
- Rechargeable batteries are to be removed from the toy before being charged.
- Exhausted batteries are to be removed from the toy.
- The supply terminals are not to be short-circuited.
- Dispose of used batteries in accordance with environmental provisions, not in the household trash.
- Avoid deforming the batteries.
- Do not leave the device in direct sunlight or expose it to other sources of heat.
- **IMPORTANT!** Protect the device from moisture. Clean it with a damp cloth and allow it to dry thoroughly before using it again.

NOTES ON DISPOSAL OF ELECTRICAL AND ELECTRONIC COMPONENTS

The electronic components of this product are recyclable. For the sake of the environment, do not throw them into the household trash at the end of their lifespan. They must be delivered to a collection location for electronic waste, as indicated by the following symbol:
Please contact your local authorities for the appropriate disposal location.

